

BATCH CHARGING EQUIPMENT

Today Frazier-Simplex, Inc. remains the premier designer and manufacturer of batch charging equipment throughout the world. Many of our batch chargers are still performing this most critical of functions since being installed in the 1960's.

Frazier-Simplex, Inc. originated the blanket batch charging concept in the 1940's and continued the expansion of batch charging technology by the introduction of the use of screw batch chargers shortly thereafter.

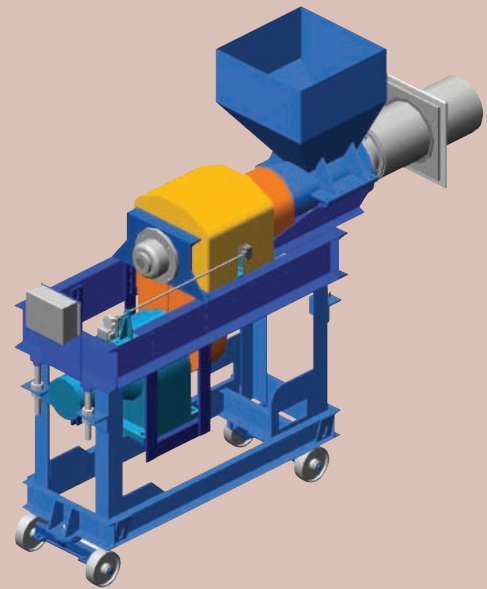
Today, screw batch chargers remain the first choice for all Oxy-fuel fired furnaces the world over as well as in other applications.

If the conventional blanket batch charger or the screw batch charger is your selection, Frazier-Simplex stands prepared to supply your requirements.

Conversely, should your batch charging requirements call for a custom design or solution, Frazier-Simplex would be more than happy to discuss your needs.

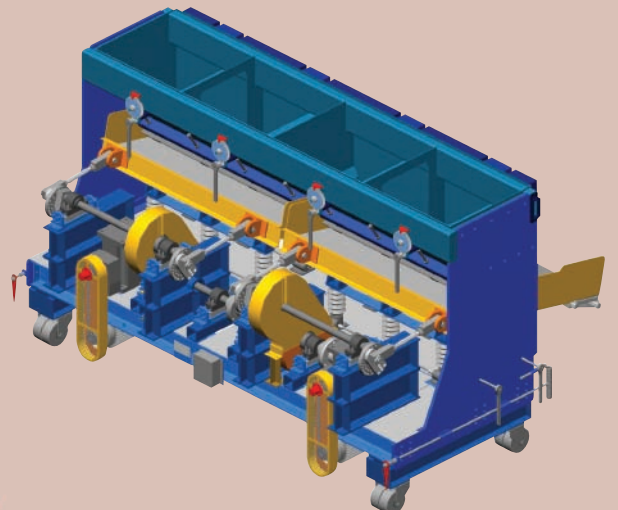
SCREW BATCH CHARGER

Screw Flight Sizes from 1" to 9" Dia.

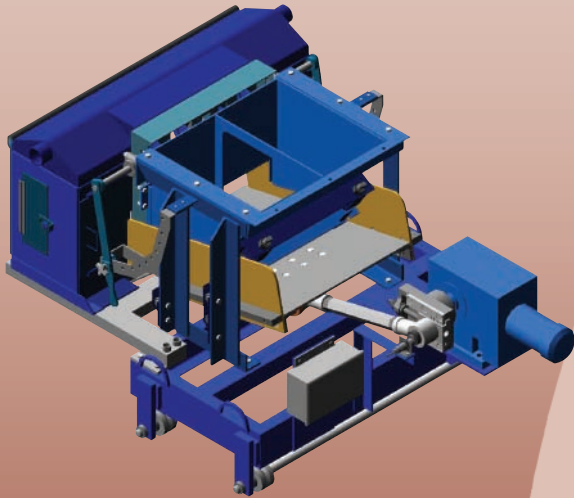


BLANKET BATCH CHARGER

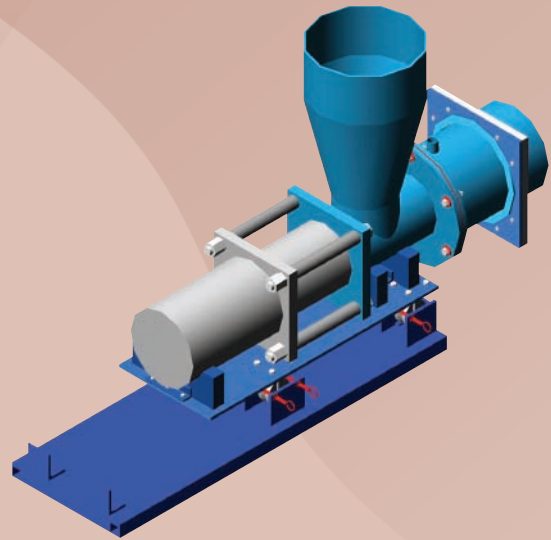
Single Plate Charger-3'-0" to 15'-0" Width
Dual Plate Charger-12'-0" to 42'-0" Width



Some examples of our custom batch chargers are: revolving scoop indexing batch chargers, ram type pusher batch chargers, doghouse mounted blanket batch chargers and table top precision screw chargers.



D.H. Mounted Blanket Batch Charger



Ram Type Pusher Batch Charger

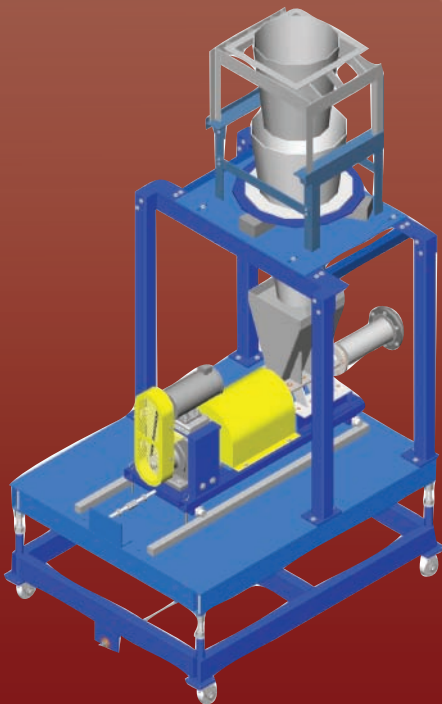
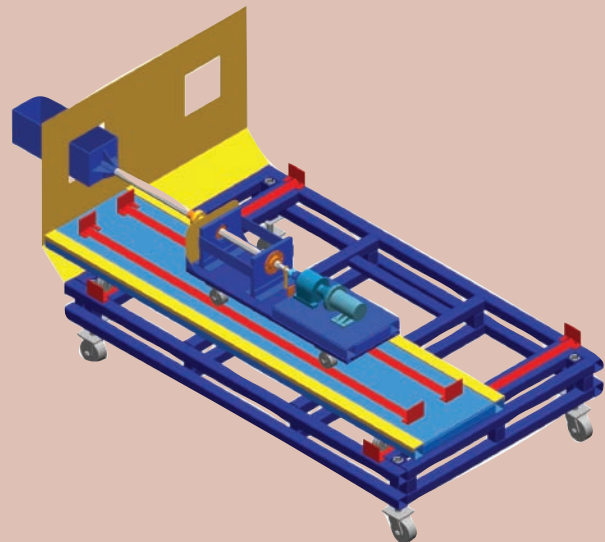


Table Mounted Screw Charger



Revolving Scoop Indexing Batch Charger